

동상교역
Tel:(02)2234-4178, Fax:(02)6008-1357
사업자등록번호:208-45-64609
415-020 경기도 김포시 금포로 1117-20
김포현대공구타운 가동 1층 25/26호

ACTEK HOIST RING
www.actek.co.kr
actek@actek.co.kr
Safe and Easy Lifting!!
Made in U.S.A.

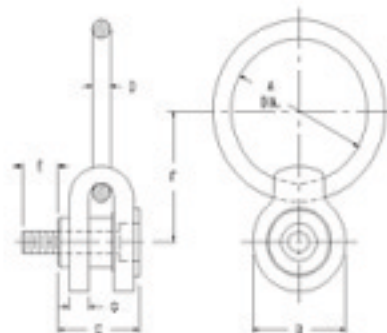
Metric Side Load Hoist Rings

Check up to five results to perform an action.

- Designed for side-mounted applications.
- Smooth swiveling and pivoting action.
- Aircraft Quality "Chrome Moly", Strong & Tough.
- Extra large ring accepts many styles and sizes of hoist hooks.
- Ideal for stamping and injection mold industries.
- Magnetic particle inspected.
- Rated loads from 650 lbs. to 29000 lbs.
- Thread size from 5/16" to 2"
- Safety Factor : 5:1



[larger image](#)



[larger image](#)

Results1 - 10 of 10

1

| <u>Item #</u> | <u>Rated Load</u> | <u>Thread Size</u> | <u>Thread Protrusion (E)</u> | <u>B</u> | <u>Torque</u> |
|-----------------------|-------------------|--------------------|------------------------------|----------|---------------|
| 43560 | 325 kg | M8 x 1.25 | 16 mm | 1 1/2 in | 3.5 ft/lb |
| 43565 | 500 kg | M10 x 1.50 | 20 mm | 1 1/2 in | 4.5 ft/lb |
| 43570 | 725 kg | M12 x 1.75 | 24 mm | 2 3/8 in | 15 ft/lb |
| 43575 | 1400 kg | M16 x 2.00 | 31 mm | 2 3/8 in | 25 ft/lb |
| 43580 | 2290 kg | M20 x 2.50 | 40 mm | 3 3/4 in | 50 ft/lb |
| 43585 | 3050 kg | M24 x 3.00 | 47 mm | 3 3/4 in | 80 ft/lb |
| 43590 | 4850 kg | M30 x 3.50 | 44 mm | 4 5/8 in | 150 ft/lb |
| 43595 | 7700 kg | M36 x 4.00 | 63 mm | 4 5/8 in | 250 ft/lb |
| 43600 | 8200 kg | M42 x 4.50 | 84 mm | 4 5/8 in | 250 ft/lb |
| 43605 | 11300 kg | M48 x 5.00 | 95 mm | 4 5/8 in | 300 ft/lb |

Results1 - 10 of 10

1